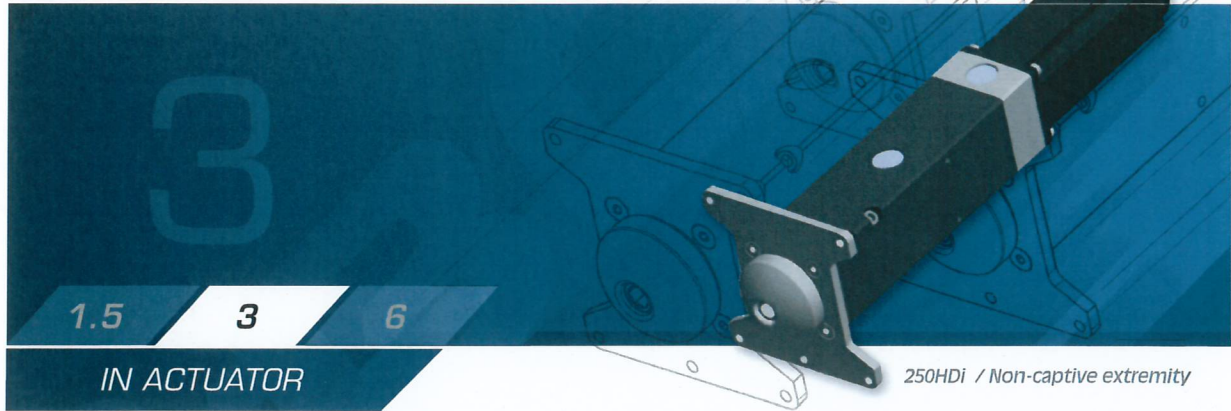


D-BOX GEN II ACTUATORS

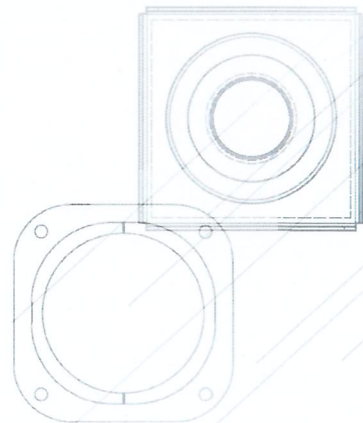


Configurations can encompass from 1 to 7 actuators in order to replicate the expected degrees of freedom (DOF). Vertically installed Gen II Actuators deliver three axes of movement (roll, pitch and heave). Horizontally installed Gen II Actuators deliver three axes of movement (sway, surge and yaw). Our basic “I” model can support most configurations. The HD model is intended for more robust and intensive usage. Users can choose between Captive and Non-Captive extremities as well as attachment brackets with L and U options.

PERFORMANCES

| FEATURES | 250HDI | 400HD |
|-----------------------|-----------------------------|-------|
| Actuator orientation | Vertical/Horizontal | |
| Power requirement | 120V / (230V with ACM 230S) | |
| Maximum vertical lift | 3" / 76,2 mm | |
| Maximum velocity | ± 100 mm/sec | |
| Maximum acceleration | ± 1 g-force | |
| Frequency range | 0-100 Hz | |
| Operating T° range | 0-40°C | |
| Operating humidity | 10 to 75% | |

| FEATURES | 250HDI | 400HDI | |
|-------------------------------------|---|-----------------------|-----------------------|
| Max. lifting capacity / Actuator* | 250 lb / 114 kg | 400 lb / 182 kg | |
| Max. horizontal capacity / Actuator | In case of an horizontal installation of actuators, it is considered as average result that translation on limited friction surfaces can be done on weights up to 3 times nominal lifting capacity of Gen II Actuators. | | |
| POWER REQUIREMENT (120V KIT) | - 2 Actuator Kit | 120 VAC, 60 Hz, 2,5 A | 120 VAC, 60 Hz, 2,5 A |
| | - 3 Actuator Kit | 120 VAC, 60 Hz, 3,5 A | 120 VAC, 60 Hz, 3,5 A |
| | - 4 Actuator Kit | 120 VAC, 60 Hz, 5 A | 120 VAC, 60 Hz, 5 A |
| POWER REQUIREMENT (230V KIT) | - 2 Actuator Kit | 230 VAC, 60 Hz, 1,5 A | 230 VAC, 60 Hz, 2 A |
| | - 3 Actuator Kit | 230 VAC, 60 Hz, 2 A | 230 VAC, 60 Hz, 2,5 A |
| | - 4 Actuator Kit | 230 VAC, 60 Hz, 2,5 A | 230 VAC, 60 Hz, 3,5 A |



MTBF** Average of 8 years depending on total load, movement intensity, frequency and acceleration. Call to inquire.
 Electric consumption*** 2 actuators setup 17\$ / year ; 4 actuators setup 32\$ / year.

* Weight distribution must be evenly spread on the activated motion platform to ensure Actuator maximum payload, inquire for more information.
 ** Based on a scenario of 160 lb per actuator (250HDI) with intense motion codes, 8 hours per day. 250 lb per actuator (400HDI) with intense motion codes 8 hours per day.
 *** Based on a scenario of 250 lb, 8 hours per day at a cost of 0.08 \$ kW/h.

EXTREMITIES & BRACKETS

Actuator extremities can be captive or non captive.

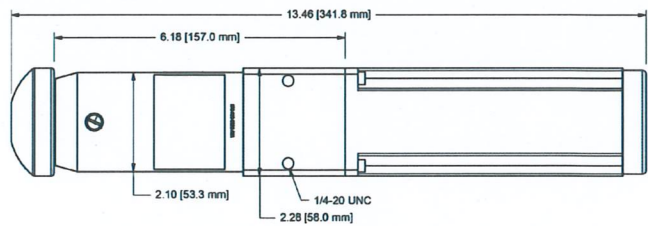
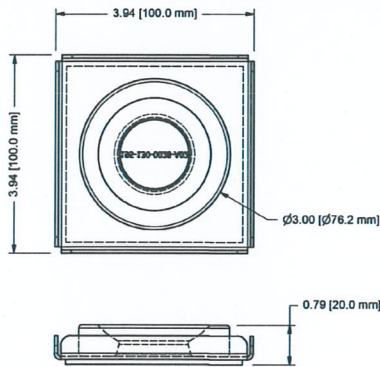
1. Allows the actuator to be attached to a sub-platform or on solid ground
2. Rod End: Allows the actuator to be attached to a sub-platform or on solid ground
3. For free flowing push against the floor with provided cupholder
4. To attach the actuators beneath the platform
5. To attach the actuators to the side of the platform



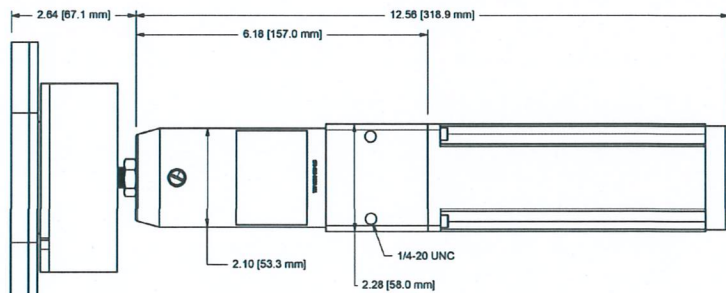
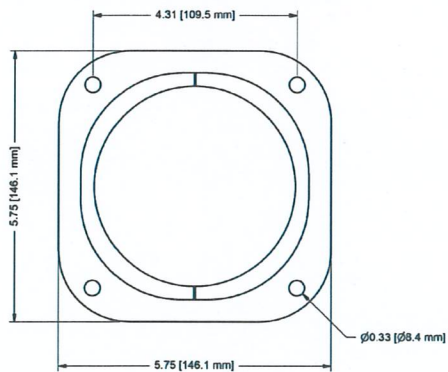
OVERALL DIMENSIONS

The 250i model is shown below. For specific information regarding other models, please email: simulation@d-box.com

NON-CAPTIVE



CAPTIVE



© 2016 D-BOX Technologies. All Rights Reserved. Specifications are subject to change without notice. D-BOX is a registered trademark. All other brand or product names are trademarks of their respective owners. Product photos and pictures are for illustration purposes only and may differ from the real product's appearance.

dbox.com



D-BOX
// Move the World®